

4

3

2

1

THIS DRAWING IS UNPUBLISHED.

RELEASED FOR PUBLICATION

2008

© COPYRIGHT 2008 BY -

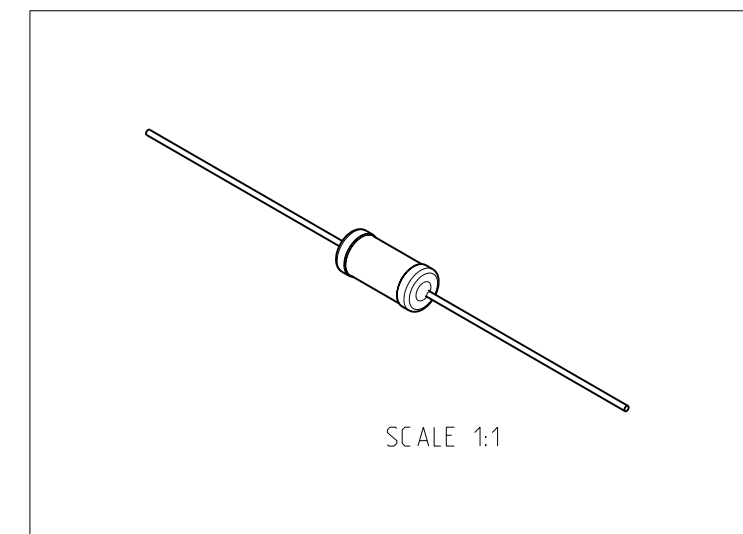
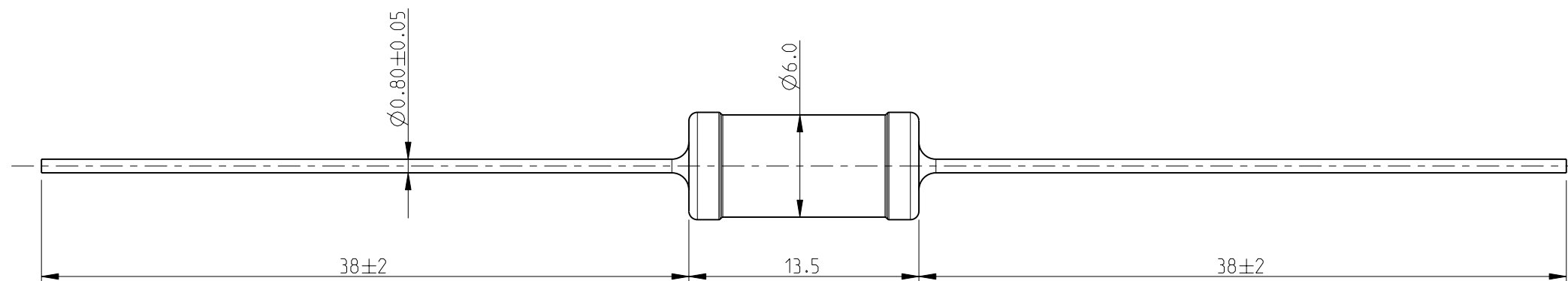
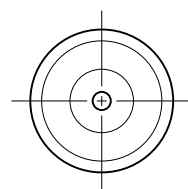
ALL RIGHTS RESERVED.

LOC E DIST B

REVISIONS

P	LTR	DESCRIPTION	DATE	DWN	APVD
	BA1	REVISED PER ECO-11-005150	29MAR2011	RK	HMR

1. PACKAGING: AMMO PACKED
2. FOR FURTHER INFORMATION SEE DATA SHEET FOR SERIES ER/ERV- HIGH POWER RESISTORS



THIS DRAWING IS A CONTROLLED DOCUMENT.

DWN SUBHASH.M 28-JUL-09

CHK ALLAN.P 28-JUL-09

APVD STEPHEN.P 28-JUL-09

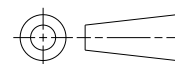
NAME



HIGH POWER RESISTORS
SERIES ER74

DIMENSIONS:

mm



TOLERANCES UNLESS OTHERWISE SPECIFIED:

0 PLC	± 0.2
1 PLC	± 0.1
2 PLC	± -
3 PLC	± -
4 PLC	± -
ANGLES	± 5°

MATERIAL -

FINISH -

PRODUCT SPEC -

APPLICATION SPEC -

WEIGHT -

SIZE CAGE CODE DRAWING NO RESTRICTED TO

A3 00779 C= 1623746

CUSTOMER DRAWING

SCALE 3:1

SHEET 1 OF 1

REV BA1